

- NOTES:
1. MATERIAL: ALUMINUM.
  2. LUGS ARE PREFILLED WITH A "VERSA-SEAL" RUBBER COMPATIBLE INHIBITOR & SEALED WITH PLASTIC END CAPS.
  3. END CAPS ARE WIRE SIZE COLOR CODED THROUGH 4/0.
  4. FOR USE WITH EITHER VERSA-CRIMP OR CONVENTIONAL COMPRESSION TOOLS.
  5. LUGS ARE METAL MARKED TO INDICATE RECOMMENDED CONDUCTORS AND CRIMP DIES.
  6. ADD "TP" SUFFIX FOR TIN PLATED VERSIONS.

CATALOG NUMBER	QTY	CONDUCTOR RANGE FOR AWG OR MCM			CRIMP DIES/ VC-TOOL	COLOR CODE	DIMENSIONS IN INCHES			
		FOR VERSA-CRIMP COMPRESSION TOOLS	FOR OTHER RECOMMENDED COMPRESSION TOOLS (STRANDED)	FOR OTHER RECOMMENDED COMPRESSION TOOLS (SOLID)			COMPACT	L	W	T
VAUL-8-38	1	#8 STR. AL-CU (#6 SOL.)	---	#8 AL-CU (#6 SOL.)	---	GREEN	3.06	.90	.27	1.25
VAUL-8-12	1	#3 STR. AL-CU	#6(6/1)	#6 AL-CU (#4 SOL.)	---	BLUE	3.06	.90	.27	1.25
VAUL-6-38	1	#6 ACSR	#6(6/1)	#4 AL-CU (#2 SOL.)	---	ORANGE	4.80	.90	.27	1.25
VAUL-6-12BN	2	#3 STR. #2 SOL. AL-CU	#4(6/1), (7/1)	#2 AL-CU (#2 SOL.)	BLACK/JURN	ORANGE	3.06	.90	.27	1.25
VAUL-4-38	1	#5-#4 ACSR	#5-#2 COMP	5/8 TAB TU 52	5/8	ORANGE	4.80	1.00	.31	1.25
VAUL-4-12BN	2	#3 STR. #1 STR. AL-CU	#3 STR. #1 STR. AL-CU	VC6-350 VC6	VC6-FT	RED	3.06	.90	.27	1.25
VAUL-1-38	1	#6-#2 ACSR	#6-#1 COMP	VC6-350 VC6	VC6-FT	RED	4.80	1.00	.31	1.25
VAUL-1-12BN	2	#3 STR. AL-CU	#2(6/1), (7/1)	VC6-350 VC6	VC6-FT	RED	3.06	.90	.27	1.25
VAUL-1-0-38	1	#5-1/0 ACSR	1/0(6/1)	VC6-350 VC6	VC6-FT	YELLOW	4.80	1.00	.31	1.25
VAUL-1-0-12	1	#3 STR. AL-CU	1/0(6/1)	VC6-350 VC6	VC6-FT	YELLOW	3.06	.90	.27	1.25
VAUL-1-0-12BN	2	#6-2/0 COMP	1/0(6/1)	VC6-350 VC6	VC6-FT	YELLOW	4.80	1.00	.31	1.25

**ANDERSON**  
TOLERANCE CHART  
1/16" - 1/2" .0015"  
1/2" - 1" .0025"  
1" - 2" .0040"  
2" - 4" .0060"  
4" - 6" .0080"  
6" - 12" .0100"  
12" - 24" .0150"  
24" - 48" .0200"  
48" - 96" .0300"  
96" - 192" .0400"  
192" - 384" .0500"  
384" - 768" .0750"  
768" - 1536" .1000"  
1536" - 3072" .1500"  
3072" - 6144" .2000"  
6144" - 12288" .3000"  
12288" - 24576" .4500"  
24576" - 49152" .6000"  
49152" - 98304" .7500"  
98304" - 196608" .9000"  
196608" - 393216" 1.0000"

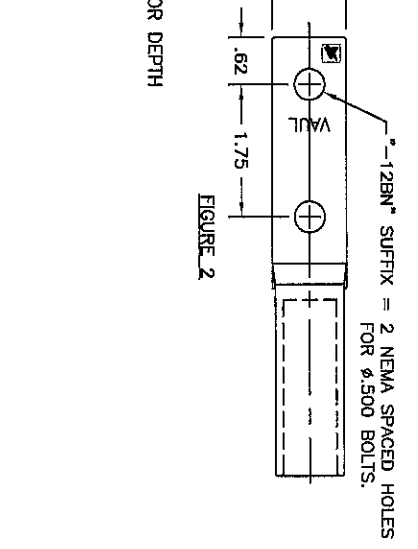
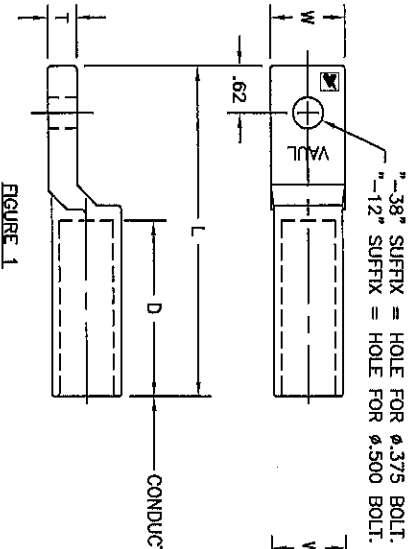
**HUBBELL POWER SYSTEMS**  
MIN. TENSION ALUMINUM  
COMPRESSION TERMINALS

DATE 7/31/11  
CHG BY BAF  
RES P ENG  
SD

REASON FOR CHANGE  
DISTRIBUTION OF MAT'L

DO NOT SCALE THIS DRAWING  
Dwg No. CC-11363-1  
CMT / PART / ASSY NO. VAUL & VAULH  
REV 9

DRAWN BY W.J.I.  
DATE 9/23/77  
SHEET 1 OF 3



CATALOG NUMBER	QTY	FOR VERSA-CRIMP COMPRESSION TOOLS	CONDUCTOR RANGE FOR AWG OR MCM			CRIMP DIES/ VC-TOOL	COLOR CODE	DIMENSIONS IN INCHES		
			ACSR	STRANDED (SOLID)	COMPACT			L	W	T
VAULH-6-12	1	#8 STR-#4 SOL. AL-CU #6 ACSR	#6(6/1)	#6 AL-CU (#4 SOL.)	#6	BLUE	3.25	.96	.25	1.43
VAULH-4-12	1	#8 STR-#2 SOL. AL-CU #6-#4 ACSR #6-#4 COMP	#4(6/1),(7/1)	#4 AL-CU (#2 SOL.)	#4	ORANGE	3.25	.96	.25	1.43
VAULH-1-12	1	#8-#1 AL-CU #6-#2 ACSR #6-#1 COMP	#2(6/1),(7/1)	#2-#1 AL-CU	#2-#1	RED	3.25	.96	.25	1.43
VAULH-1-12BN	2					RED	5.75	1.25	.25	1.87
VAULH-1/0-38	1	#4-1/0 AL-CU	1/0(6/1)	1/0 AL-CU	1/0-2/0	YELLOW	3.25	.96	.25	1.43
VAULH-1/0-12	1	#4-1/0 ACSR				YELLOW	3.25	.96	.25	1.43
VAULH-1/0-12BN	2					YELLOW	5.75	1.25	.25	1.87
VAUL-2/0-38	1	#4-2/0 AL-CU	2/0(6/1)	2/0 AL-CU	3/0	GRAY	3.25	.96	.25	1.43
VAUL-2/0-12	1	#4-2/0 ACSR				GRAY	3.25	.96	.25	1.43
VAUL-2/0-12BN	2					GRAY	5.75	1.25	.25	1.87
VAUL-3/0-12	1	#4-3/0 AL-CU	3/0(6/1)	3/0 AL-CU	4/0	BLACK	3.25	.96	.25	1.43
VAUL-3/0-12BN	2					BLACK	5.75	1.25	.25	1.87
VAUL-4/0-38	1	#4-250 AL-CU #5-4/0 ACSR	4/0(6/1)	4/0-250 AL-CU	250-300	PINK	3.25	.96	.25	1.43
VAUL-4/0-12	1	#4-300 COMP				PINK	3.25	.96	.25	1.43
VAUL-4/0-12BN	2					PINK	5.25	1.25	.25	1.87

EC #	DATE	CHK BY	RESP ENG
DESCRIBE THE JOB			
SER. SHEET 1			
REASON (S) FOR CHANGE			
DISPOSITION OF MAT'L			

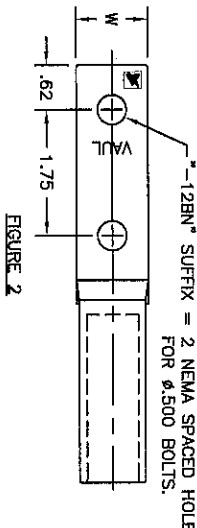
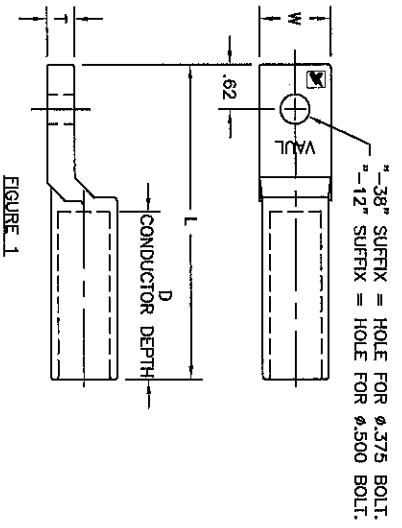
**ANDERSTON**  
TOLERANCE CHART  
FRACTIONS  
0.0004 - 0.0125  
DECIMALS  
0.0004 - 0.0125  
ANGLES  
0.0004 - 0.0125

**HUBBELL POWER SYSTEMS**

MIN. TENSION ALUMINUM  
COMPRESSION TERMINALS

TITLE	SIZE	DWG NO.	CAT / PART / ASST. NO.
MIN. TENSION ALUMINUM COMPRESSION TERMINALS	B	CC-11363-2	VAUL & VAULH
DO NOT SCALE THIS DRAWING	DRW BY	WJI	DATE 9/23/77
SHEET 2	OF 3	REV	9

CATALOG NUMBER	QTY	FOR VERSA-CRIMP COMPRESSION TOOLS	CONDUCTOR RANGE FOR AWG OR MCM		CRIMP TOOLS	DIMENSIONS IN INCHES			
			FOR OTHER RECOMMENDED COMPRESSION (SOLID)	COMPACT		L	W	T	D
VAUL-250-12	1	1/0-250 STR. AL-CU	250 AL-CU	300	EE-12A BURNDY 228 KEBNEY 29/22 178 TH-87 BLACKBURN B61EA	4.59	1.25	.37	2.44
VAUL-250-12BN	2	1/0-4/0 ACSR	250 AL-CU	300	EE-12A BURNDY 228 KEBNEY 29/22 178 TH-87 BLACKBURN B61EA	4.59	1.25	.37	2.44
VAUL-300-12	1	2/0-300 STR. AL-CU	300 AL-CU	350	EE-13A BURNDY 316,472 695,705 KEBNEY 1-1/8 58 BLACKBURN B60EA	4.59	1.25	.37	2.44
VAUL-300-12BN	2	2/0-350 STR. AL-CU	300 AL-CU	400	EE-13A BURNDY 316,472 695,705 KEBNEY 1-1/8 58 BLACKBURN B60EA	4.59	1.25	.37	2.44
VAUL-350-12	1	2/0-350 STR. AL-CU	350 AL-CU	400	EE-13A BURNDY 316,472 695,705 KEBNEY 1-1/8 58 BLACKBURN B60EA	4.59	1.25	.37	2.44
VAUL-350-12BN	2	2/0-400 COMP	350 AL-CU	400	EE-13A BURNDY 316,472 695,705 KEBNEY 1-1/8 58 BLACKBURN B60EA	4.59	1.25	.37	2.44
VAUL-360-12	1	4/0-350 STR. AL-CU	300-350 AL-CU	350-400	EE-14A BURNDY 336,472 695,705 KEBNEY 1-1/8 58 BLACKBURN B60EA	4.44	1.25	.37	2.37
VAUL-360-12BN	2	4/0-400 COMP	300-350 AL-CU	350-400	EE-14A BURNDY 336,472 695,705 KEBNEY 1-1/8 58 BLACKBURN B60EA	4.44	1.25	.37	2.37
VAUL-400-12	1	4/0-400 STR. AL-CU	350-400 AL-CU	450-500	EE-14A BURNDY 336,472 695,705 KEBNEY 1-1/8 58 BLACKBURN B60EA	4.44	1.25	.37	2.37
VAUL-400-12BN	2	4/0-500 STR. AL-CU	350-400 AL-CU	450-500	EE-14A BURNDY 336,472 695,705 KEBNEY 1-1/8 58 BLACKBURN B60EA	4.44	1.25	.37	2.37
VAUL-500-12	1	4/0-500 STR. AL-CU	450-500 AL	550-600	EE-14A BURNDY 336,472 695,705 KEBNEY 1-1/8 58 BLACKBURN B60EA	4.44	1.25	.37	2.37
VAUL-500-12BN	2	4/0-477(1%) ACSR	450-500 AL	550-600	EE-14A BURNDY 336,472 695,705 KEBNEY 1-1/8 58 BLACKBURN B60EA	4.44	1.25	.37	2.37
VAUL-600-12BN	2	300-600 STR. AL	550-600 AL	650-700	EE-14A BURNDY 336,472 695,705 KEBNEY 1-1/8 58 BLACKBURN B60EA	6.87	1.37	.56	3.00
VAUL-750-12BN	2	500-750 STR. AL	700-750 AL	750-800	EE-14A BURNDY 336,472 695,705 KEBNEY 1-1/8 58 BLACKBURN B60EA	6.87	1.37	.56	3.00
VAULH-500-12BN	2	4/0-500 STR. AL-CU	450-500 AL-CU	550-600	EE-14A BURNDY 336,472 695,705 KEBNEY 1-1/8 58 BLACKBURN B60EA	7.25	1.60	.63	3.19
VAULH-700-12BN	2	350-700 STR. AL	600-700 AL	750-800	EE-14A BURNDY 336,472 695,705 KEBNEY 1-1/8 58 BLACKBURN B60EA	7.25	1.60	.63	3.19
VAUL-800-12BN	2	500-800 STR. AL	700-800 AL	900	EE-14A BURNDY 336,472 695,705 KEBNEY 1-1/8 58 BLACKBURN B60EA	7.25	1.60	.63	3.19
VAUL-1000-12BN	2	650-1000 STR. AL	900-1000 AL	-	EE-14A BURNDY 336,472 695,705 KEBNEY 1-1/8 58 BLACKBURN B60EA	7.25	1.60	.63	3.19



EC #	DATE	CHG BY	RESP ENG

**ANDERSON TOLERANCE CHART**  
 1000-1/2-2008  
 1000-1/2-2008

**HUBBELL POWER SYSTEMS**  
 MIN. TENSION ALUMINUM  
 COMPRESSION TERMINALS

CONVENTIONAL TERMINALS AND THE EXCLUSIVE PROPERTY OF HUBBELL POWER SYSTEMS. NO REPRODUCTION OR TRANSMISSION OF THIS DRAWING WITHOUT THE WRITTEN CONSENT OF HUBBELL POWER SYSTEMS. UNPUBLISHED RIGHTS RESERVED UNDER THE COPYRIGHT LAWS.

SIZE: B  
 DWG NO.: CC-11363-3  
 QMT / PART / ASST NO.: VAUL & VAULH  
 DATE: 9/23/77  
 SHEET: 3 OF 3